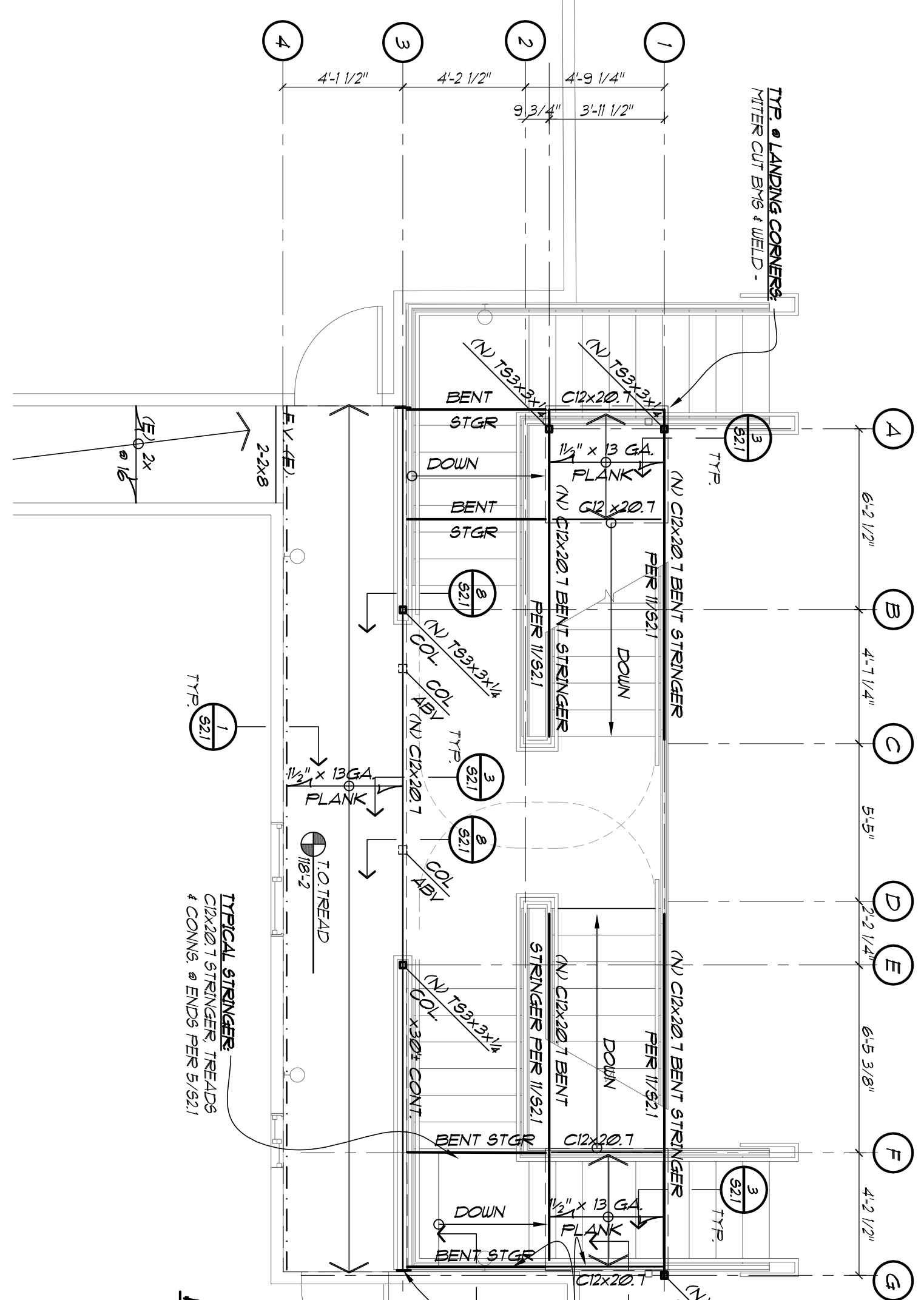
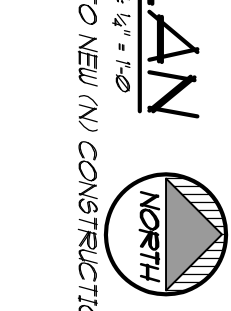


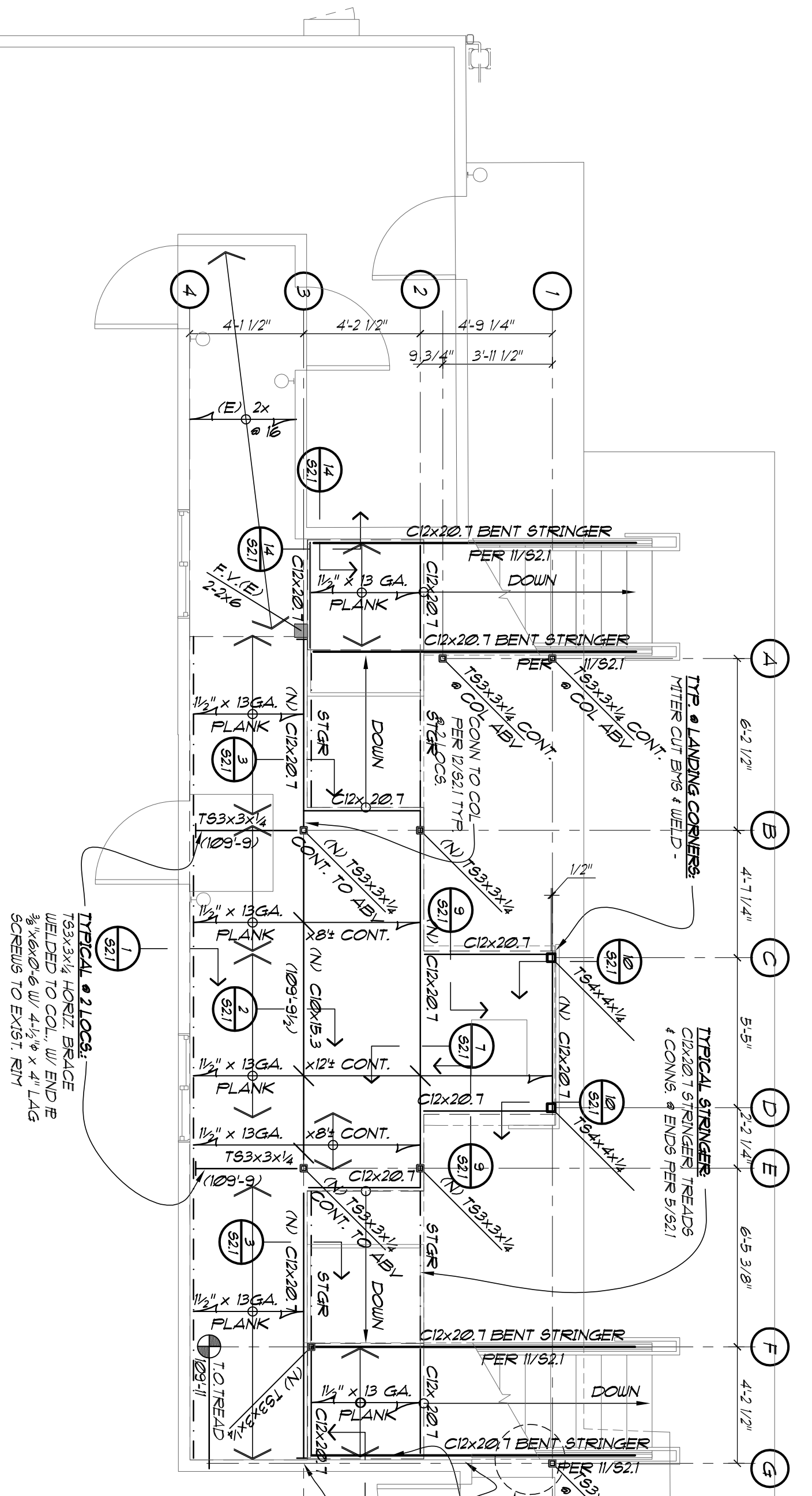
**ROOF FRAMING PLAN**  
SCALE: 1/4" = 1'-0"  
NORTH

• FIELD VERIFY (F.V.) EXISTING (E) CONDITIONS PRIOR TO NEW (N) CONSTRUCTION & NOTIFY GEBAU INC OF ANY DISCREPANCIES.  
• SEE SHEET S21 FOR GENERAL STRUCTURAL NOTES



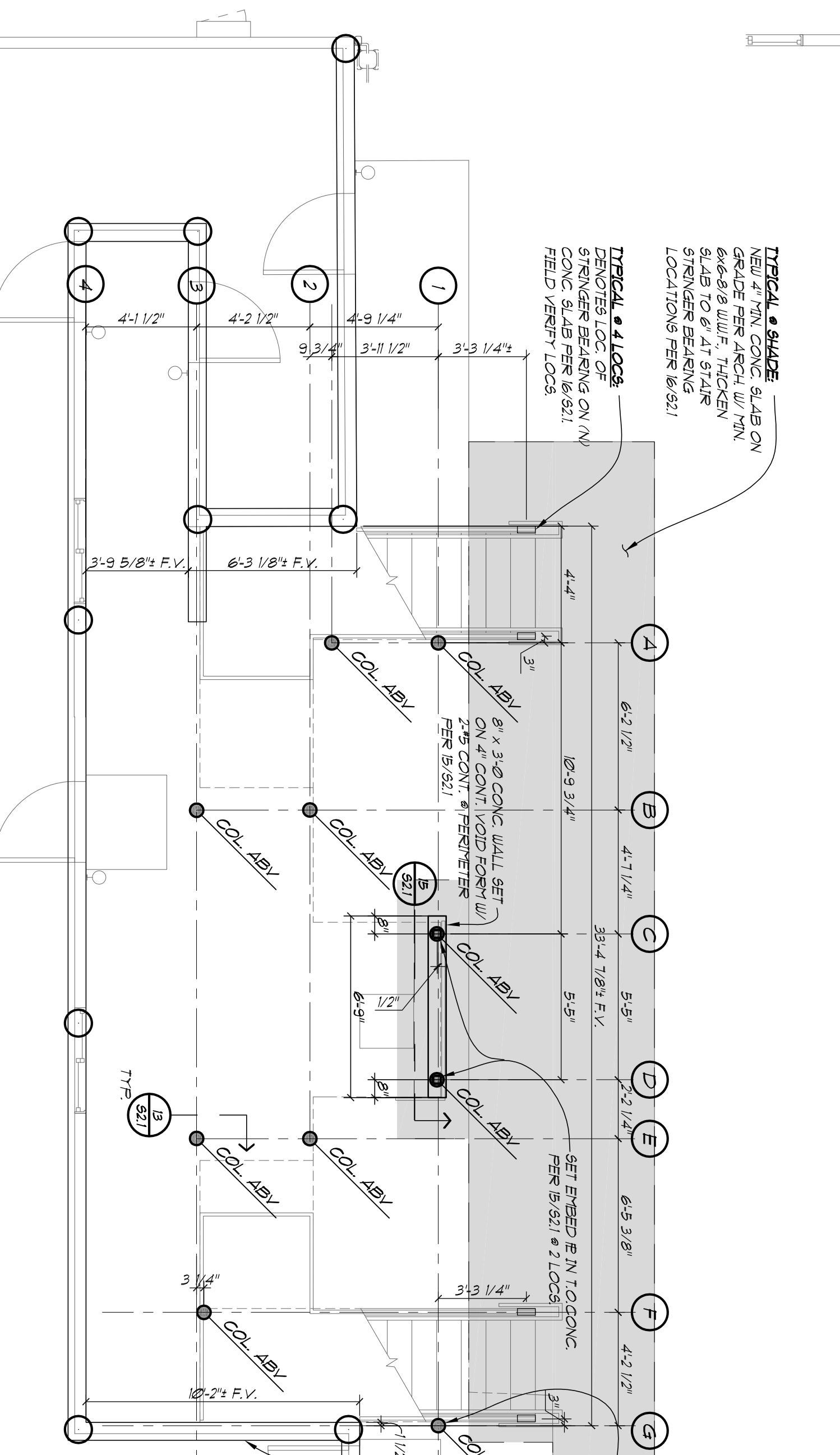
**LEVEL 3 FRAMING PLAN**  
SCALE: 1/4" = 1'-0"  
NORTH

• FIELD VERIFY (F.V.) EXISTING (E) CONDITIONS PRIOR TO NEW (N) CONSTRUCTION & NOTIFY GEBAU INC OF ANY DISCREPANCIES.  
• FLOOR TO BE 1 1/2" x 12" x 18" GALVANIZED STL. TRACTION TREAD PLANKS AS MANUF BY HANCOCKS.  
• GROUND ALL WEILDS SMOOTH & PAINT FOR SEVERE WEATHER EXPOSURE  
• TOP OF STEEL IS 18'-2" OR AS NOTED THIS ELEV.  
• SEE SHEET S21 FOR GENERAL STRUCTURAL NOTES



**LEVEL 2 FRAMING PLAN**  
SCALE: 1/4" = 1'-0"  
NORTH

• FIELD VERIFY (F.V.) EXISTING (E) CONDITIONS PRIOR TO NEW (N) CONSTRUCTION & NOTIFY GEBAU INC OF ANY DISCREPANCIES.  
• FLOOR TO BE 1 1/2" x 12" x 18" GALVANIZED STL. TRACTION TREAD PLANKS AS MANUF BY HANCOCKS.  
• GROUND ALL WEILDS SMOOTH & PAINT FOR SEVERE WEATHER EXPOSURE  
• TOP OF STEEL IS 18'-2" OR AS NOTED THIS ELEV.  
• SEE SHEET S21 FOR GENERAL STRUCTURAL NOTES



**FOUNDATION PLAN**  
SCALE: 1/4" = 1'-0"  
NORTH

• FIELD VERIFY (F.V.) EXISTING (E) CONDITIONS PRIOR TO NEW (N) CONSTRUCTION & NOTIFY GEBAU INC OF ANY DISCREPANCIES.  
• SEE SHEET S21 FOR GENERAL STRUCTURAL NOTES

**BID SET**

**GEBAU** INC.  
CONSULTING STRUCTURAL ENGINEERS

1121 BROADWAY, STE. 201  
BOULDER, CO 80502  
(303)444-8545, FAX (303)444-3140  
mail@gebau.com

ARAPAHOE EAST STAIR RENOVATION  
4610 ARAPAHOE ST, BOULDER CO

DATE: 6/25/10	DRAWN BY: JW
JOB #: 10061	CHECKED BY: PG
REVISIONS:	
PROJECT NO: S1.1	

**GENERAL STRUCTURAL NOTES** JOB NO. 0828

PROJECT: ARAPAHOE EAST STAIR RENOVATION

**DESIGN LOADS**  
 SLOPE 3.0 PSF  
 WIND (V) 10 MPH EMP C  
 SEISMIC CATEGORY B  
 FLOOR 40 PSF OR 80 PSF  
 ROOF 20 PSF  
 HANDRAIL 80 PLF OR 200 FT LOAD

**INSPECTIONS**

THE FOLLOWING ITEMS REQUIRE SPECIAL INSPECTION FROM GEBAU, INC. OR BY AN INSPECTION AGENCY APPROVED BY GEBAU, INC. WITH A 24 HOUR ADVANCED NOTICE. FOOTING FOUNDATION WALL FORMS, REINFORCING AND ANCHOR BOLTS PRIOR TO CONCRETE POUR.  
 STRUCTURAL STEEL, FRAMING ELEMENTS, BOLTING FIELD WELDS AND STEEL DECK CONNECTIONS.  
**FOUNDATIONS**  
 FOUNDATION DESIGNED WITHOUT ENGINEER'S SOIL INVESTIGATION.  
 FOUNDATION CRITERIA BELOW WAS ASSUMED FOR PURPOSES OF FOUNDATION DESIGN AND SHALL BE CONFIRMED BY SOILS ENGINEER AT OWNERS RISK. REVISIONS PRIOR TO CONSTRUCTION SHALL BE APPROVED BY GEBAU, INC. WITH A 24 HOUR ADVANCED NOTICE. SOIL ENGINEER DETERMINES THAT SOIL DESIGN CRITERIA ARE APPROPRIATE FOR THIS BUILDING TYPE.

**STEEL HELICAL PIER**

STEEL HELICAL PIER TO BE INSTALLED BY AN AUTHORIZED CONTRACTOR AND DESIGNED TO RESIST THE WORKING LOADS PER PLAN BY A QUALIFIED GEOTECHNICAL ENGINEER PER 17 OR AS NOTED PER PLAN.  
 CONTRACTOR TO VERIFY APPLICABILITY OF HELICAL PIER AND MINIMUM EMBEDMENT DEPTH TO THE ACTIVE SOIL ZONE. PRE-DRILLING HOLES MAY BE REQUIRED TO REET MINIMUM EMBEDMENT DEPTH PER GEOTECHNICAL ENGINEER.  
 A QUALIFIED 3RD PARTY GEOTECHNICAL ENGINEER TO OBSERVE FILE INSTALLATION TORQUE AND EMBEDMENT DEPTH.  
 SHOP DRAWINGS OF PIER CONNECTION DETAILS, TESTING, ETC. TO BE REVIEWED BY GEBAU, INC. PRIOR TO CONSTRUCTION.

**CONCRETE AND REINFORCEMENT**

CONCRETE SHALL CONFORM TO APPLICABLE PROVISIONS OF LATEST REVISION OF ACI 308 MINIMUM 28 DAY COMPRESSIVE STRENGTH 4,500 POUNDS PER SQUARE INCH (PSI).  
 ALL CONCRETE 3,000 PSI.  
 DEFORMED REINFORCEMENT, A571-40S GRADE 60.  
 WELDED WIRE FABRIC, A571-40S GRADE 60.  
 REINFORCEMENT FABRICATED AND PLACED PER ACI MANUAL OF STANDARD PRACTICE (ACI 318).  
 CONCRETE MUST BE PLACED CONTINUOUSLY WITHOUT HORIZONTAL COLD JOINT. IF COLD JOINT IS DESIRED, APPROPRIATE VERTICAL REINFORCEMENT MUST BE PROVIDED.  
 COLD WEATHER PLACEMENT SHALL CONFORM TO PRACTICE SET FORTH IN ACI MANUAL OF CONCRETE PRACTICE.  
 EPOXY: SIKKOPAC/RTIC THE (A) D EPOXY OR EQUIVALENTS ANCHOR CEMENT.

**STRUCTURAL STEEL**

STRUCTURAL STEEL, A571-40S GRADE B  
 STANDARD TUBE COLUMNS, A571-40S GRADE B  
 BOLTS, A571-4307  
 WELD MATERIAL, E70XX  
 ALL WELDS SHALL HAVE EVIDENCE OF HAVING PASSED THE AWS STANDARD QUALIFICATION TEST.  
 ALL BRASS ANCHORS TO BE INSTALLED, AS MANUFACTURED BY RAINGER OR EQUIVALENT BY MILL.  
 PLASTIC COAT ALL STEEL BELOW GRADE.  
 ALL STRUCTURAL STEEL FABRICATED AND ERIGTED PER AISC STEEL CONSTRUCTION MANUAL.  
 GROUND ALL WELDS SMOOTH + PLAIN FOR SEA SURE WELDERS EXPOSURE.

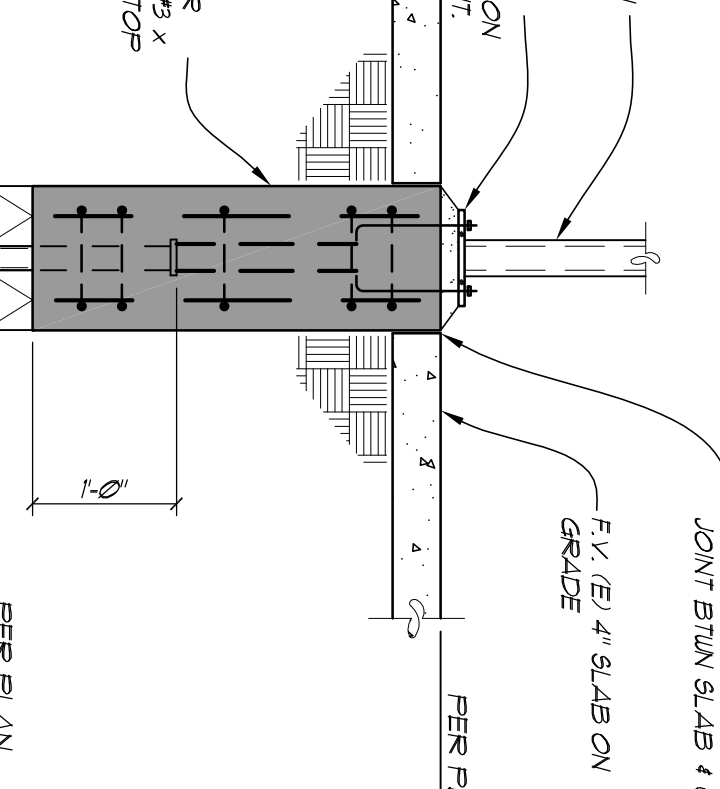
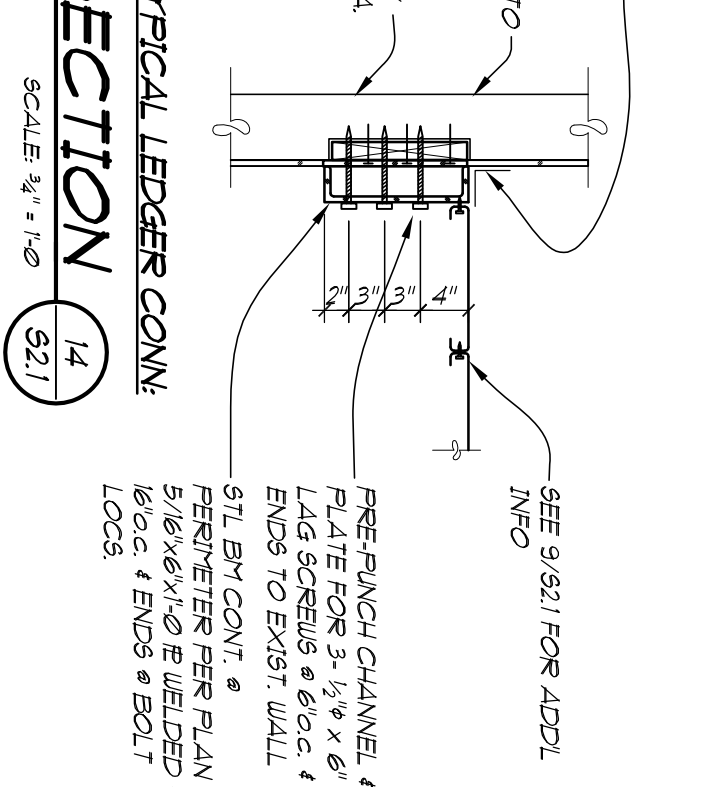
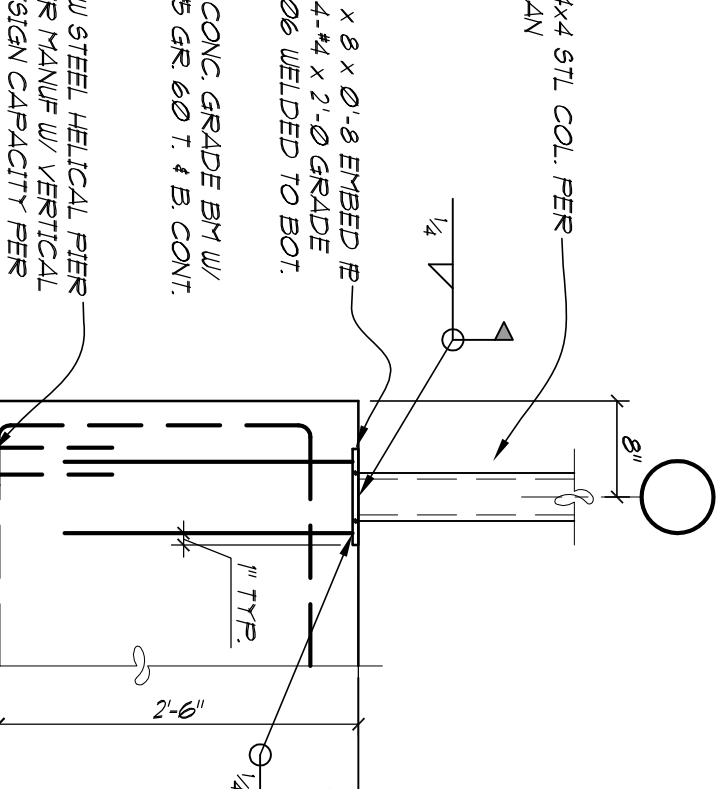
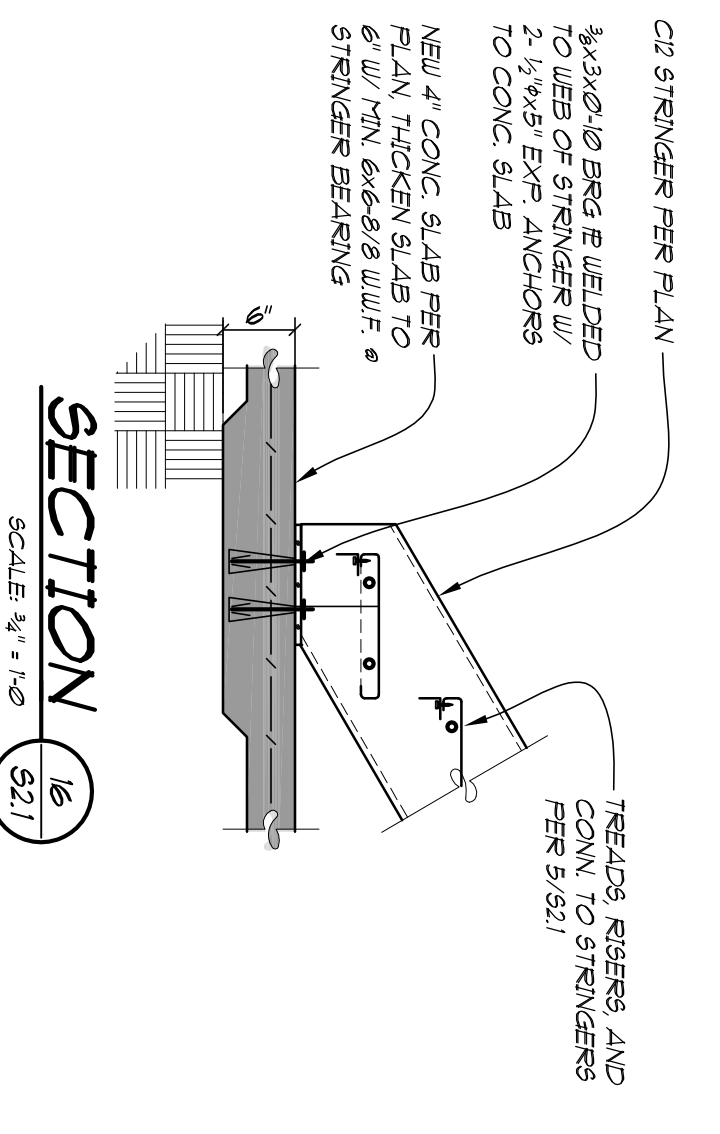
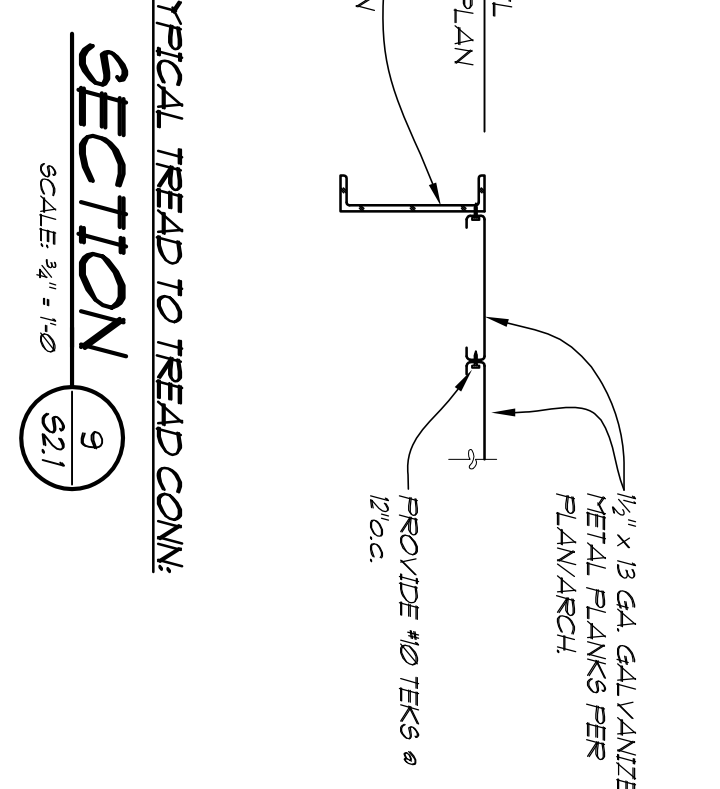
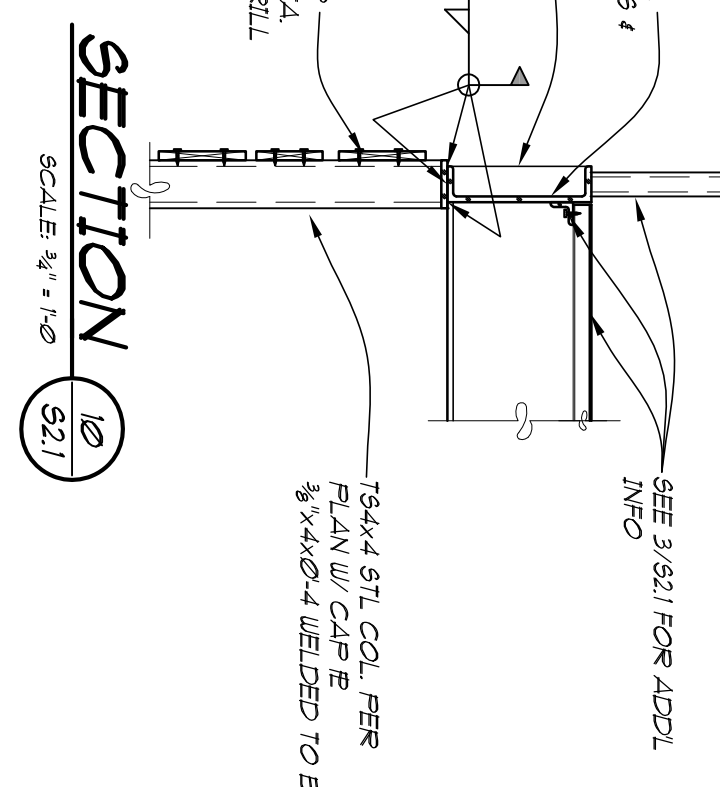
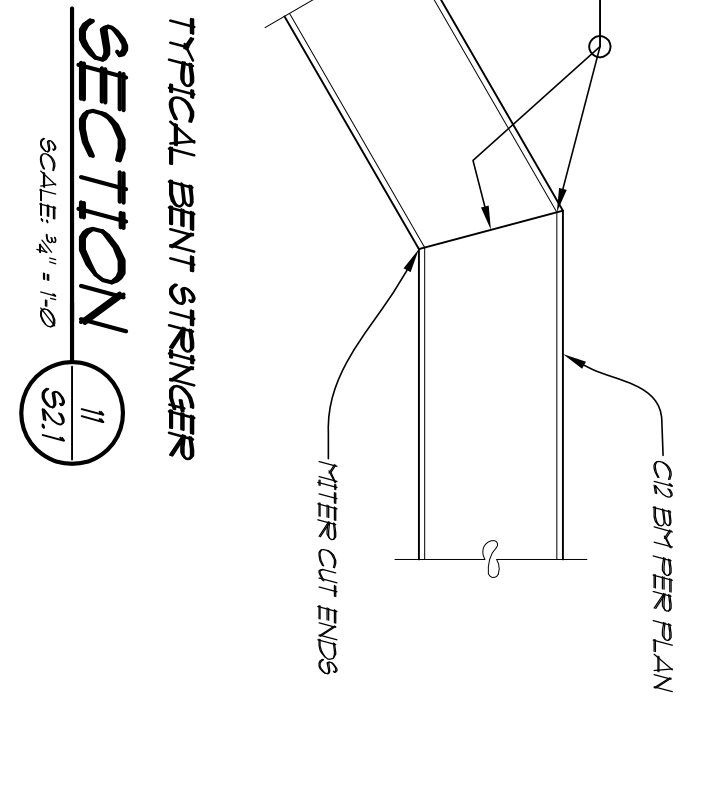
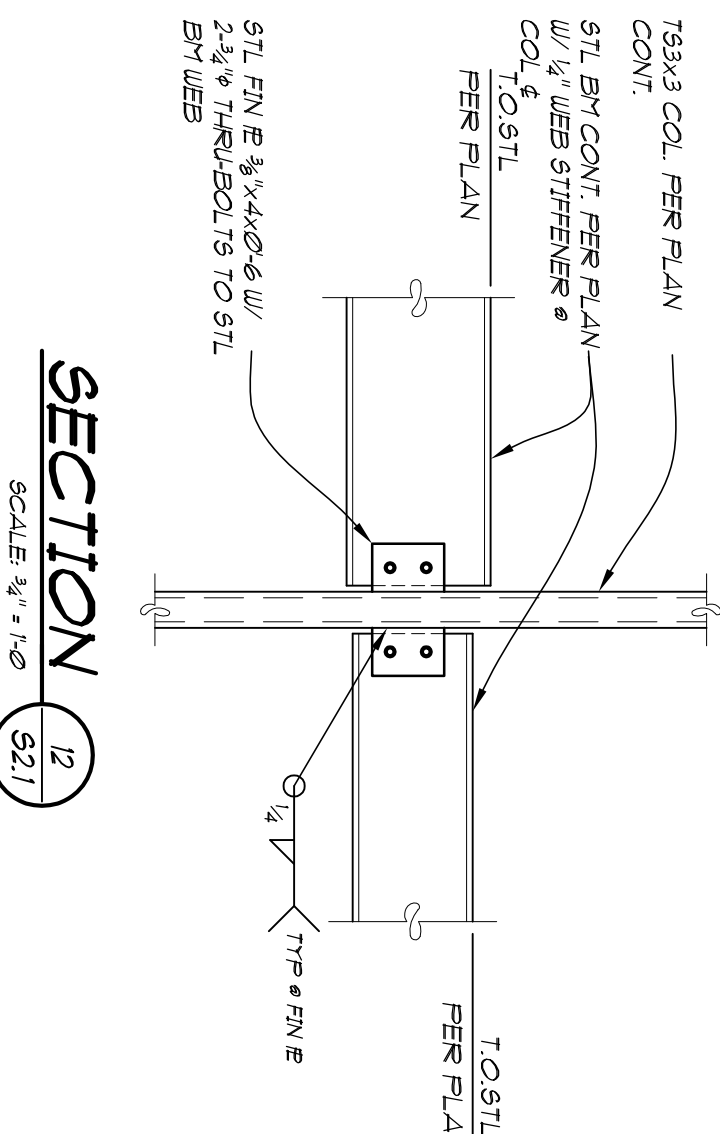
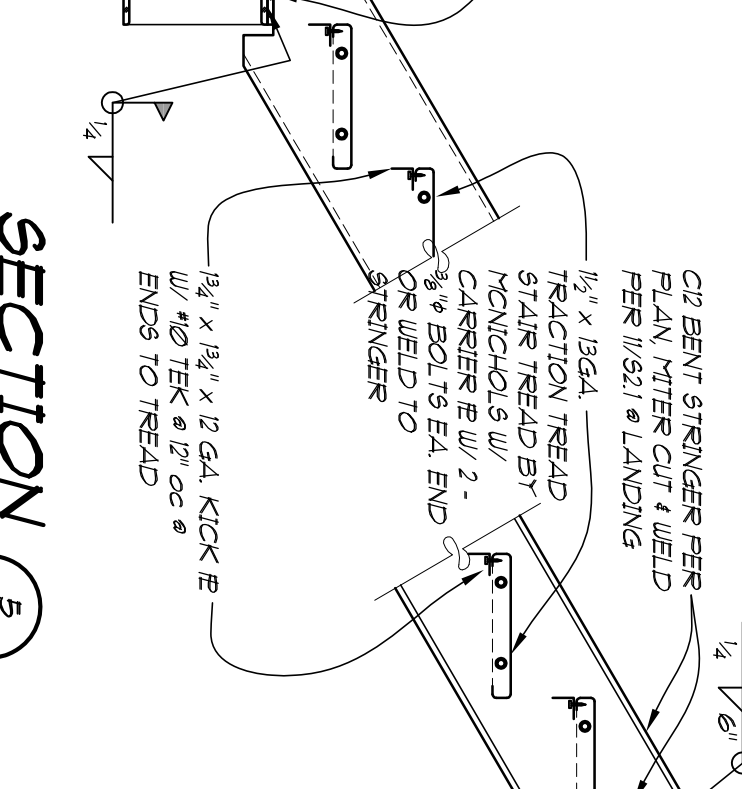
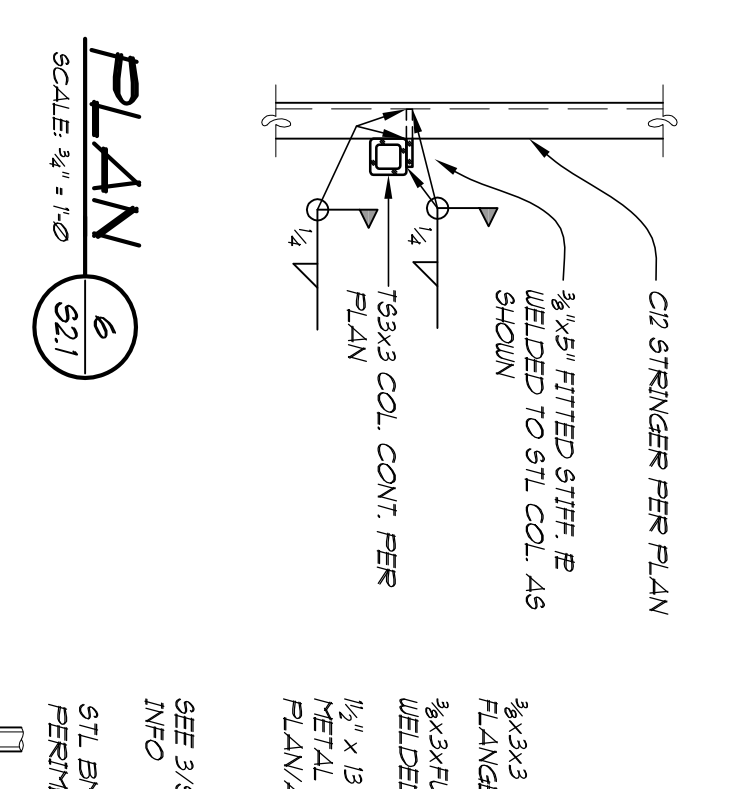
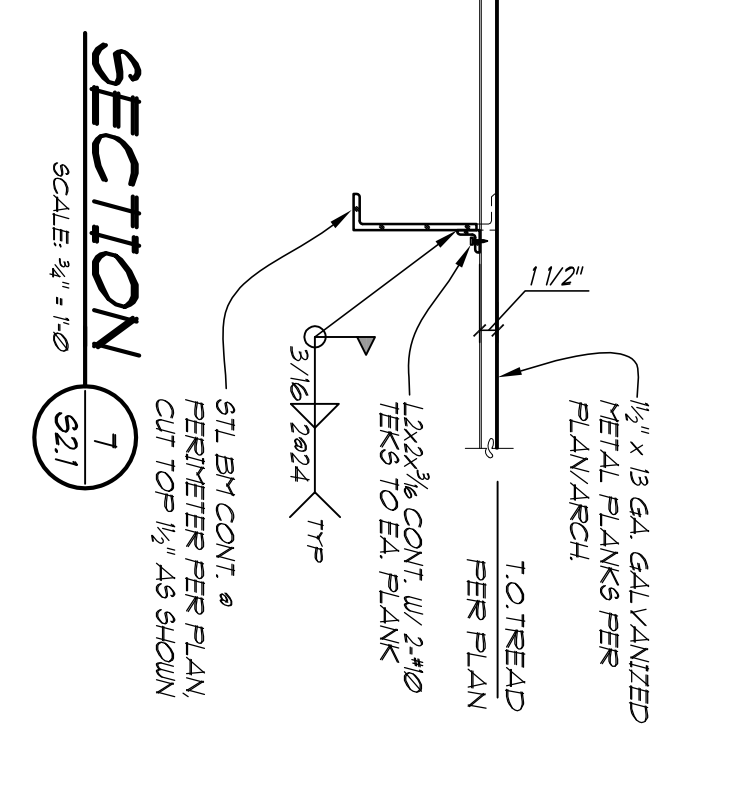
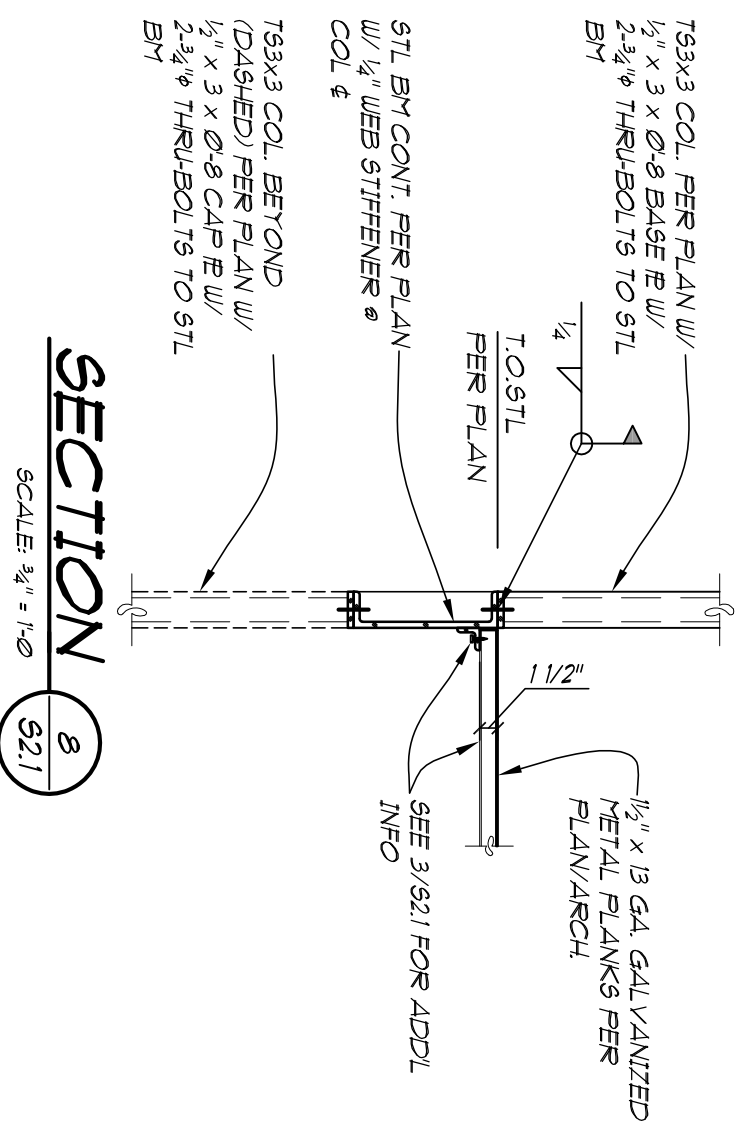
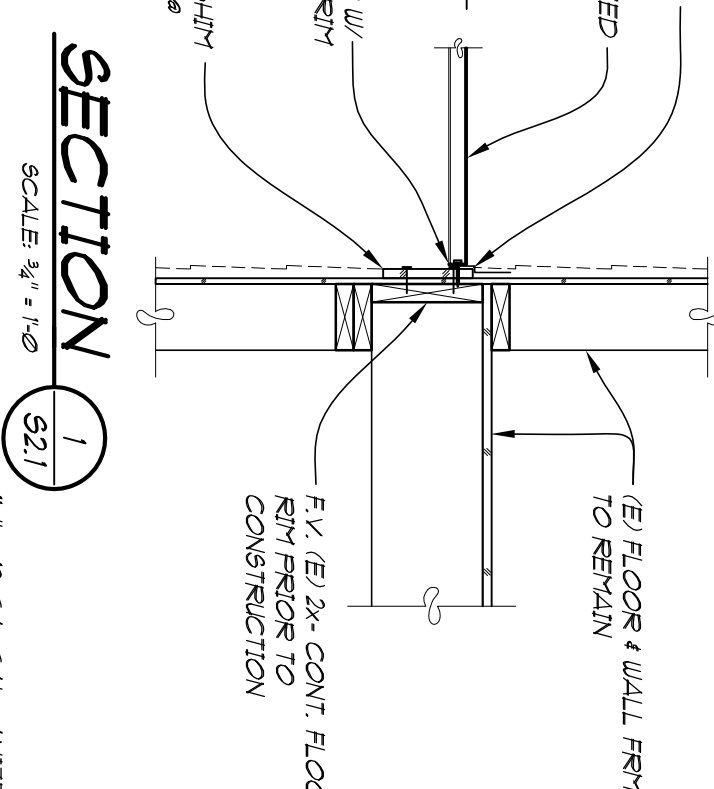
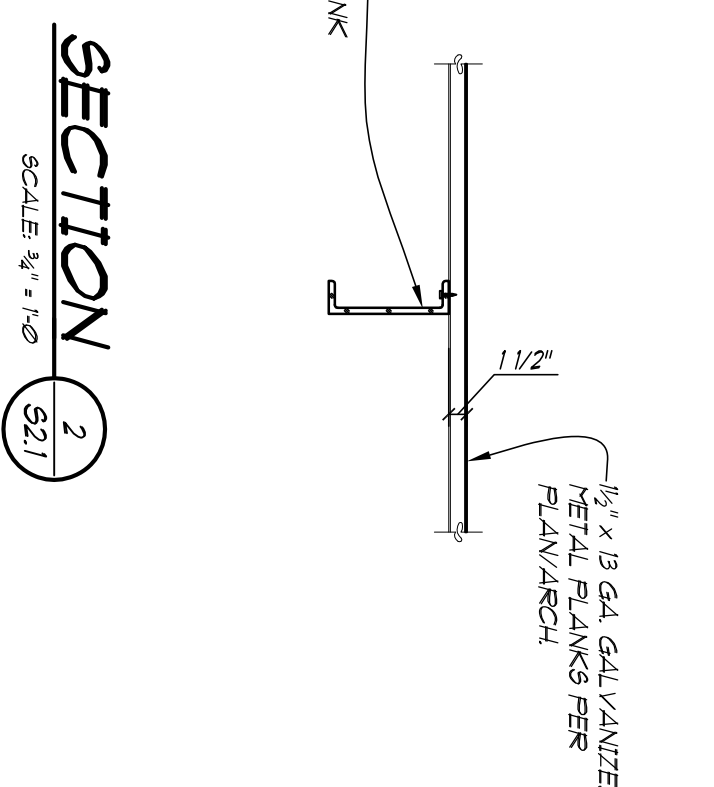
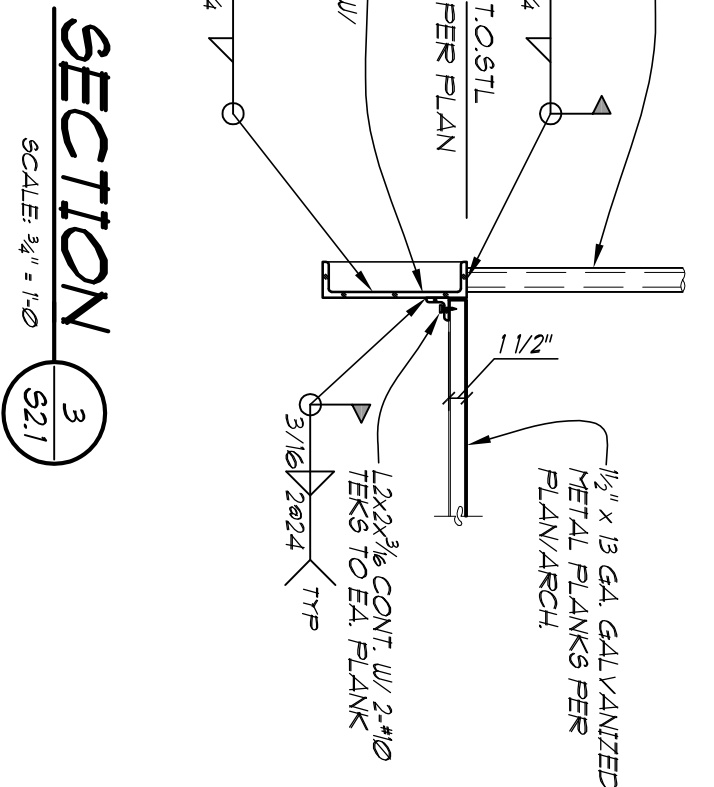
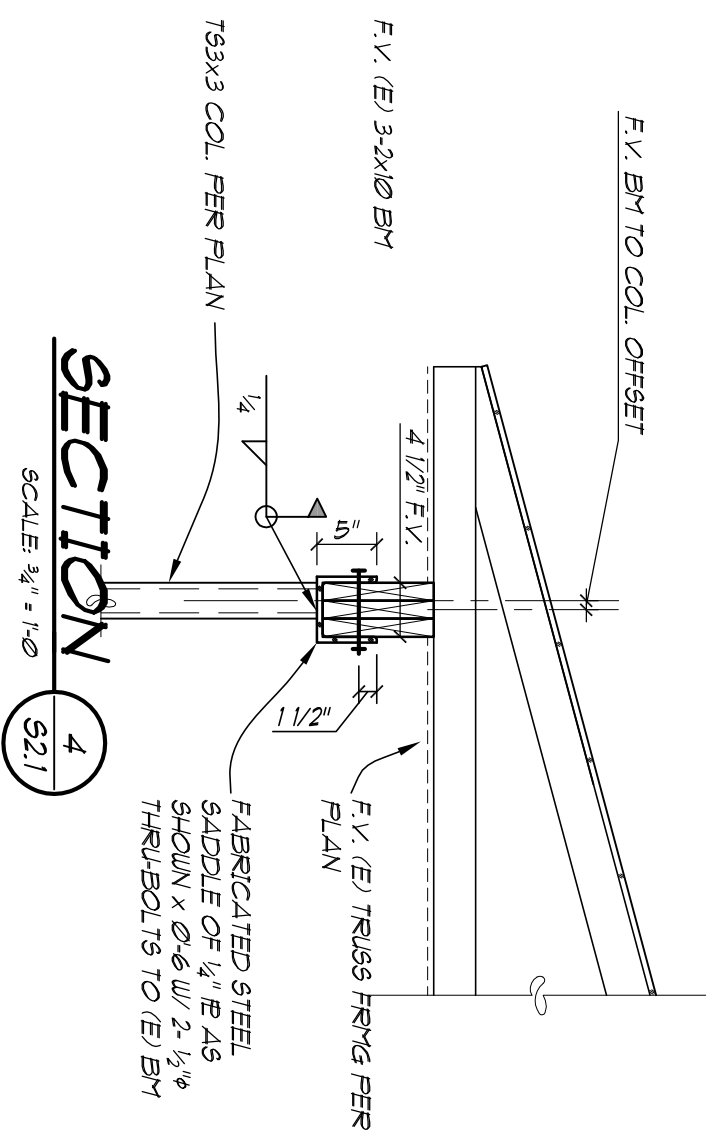
**WOOD FRAMING**

WOOD DESIGN VALUES IN PSI OR AS NOTED.  
 FRAMING LUMBER (WATER MOISTURE CONTENT, %)  
 1" TO 4" < 9%  
 4" TO 6" 1,100/2,000 F<sub>x</sub>, 800  
 6" TO 8" 1,100/2,000 F<sub>x</sub>, 800  
 8" TO 12" 1,100/2,000 F<sub>x</sub>, 800  
 12" TO 18" 1,100/2,000 F<sub>x</sub>, 800  
 18" TO 24" 1,100/2,000 F<sub>x</sub>, 800  
 24" TO 30" 1,100/2,000 F<sub>x</sub>, 800

CONTRACTOR TO CONTACT GEBAU, INC. IF ANY OF SUPPLIED WOOD MEMBERS DIFFER FROM THE MATERIAL SPECIFICATIONS ABOVE PRIOR TO CONSTRUCTION.  
 WALLING PER INTERNATIONAL BUILDING CODE EXCEPT WHERE MORE OR LARGER WALLING SHOWN ON DRAWINGS.  
 ALL FASTENERS NAILS BOLTS + HANGERS IN CONTACT WITH PRESSURE TREATED WOOD SHALL BE CORROSION RESISTANT AS SPECIFIED BY LUMBER MANUFACTURER.  
 METAL CONNECTOR DESIGNATIONS ARE SIKKOPAC/RTIC THE COMPANY.

**GENERAL**

CONTRACTOR TO VERIFY EXISTING CONDITIONS PRIOR TO SPECIFYING CORRESPONDING MODIFICATIONS AND SHALL NOTIFY GEBAU, INC. IMMEDIATELY UPON DISCOVERY OF CONDITIONS DIFFERING FROM THOSE SHOWN.  
 THESE PLANS HAVE BEEN REVISED FOR CONSTRUCTION AT ONE SPECIFIC BUILDING SITE. BUILDER ASSUMES ALL RESPONSIBILITY FOR USE OF THESE PLANS AT ANY OTHER BUILDING SITE.



BID SET

<p><b>SS2.1</b></p>	<p><b>ARAPAHOE EAST STAIR RENOVATION</b>                  4610 ARAPAHOE ST, BOULDER CO</p>	<p><b>GEBAU</b> INC.                  CONSULTING STRUCTURAL ENGINEERS</p> <p>1121 BROADWAY, STE. 201                  BOULDER, CO 80502                  (303)444-8545, FAX (303)444-3140                  mail@gbau.com</p>
<p>DATE: 6/25/10                  DRAWN BY: JWG                  CHECKED BY: JWG                  REVISED:</p>	<p>JOB #: 100061</p>	



